

**TREK**



# 2024 WAHOO PATH

SERVICE MANUAL

# Contents

[About this manual](#)

[Brake/shift routing](#)

[Rear derailleur hanger](#)

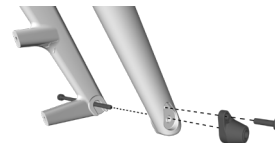
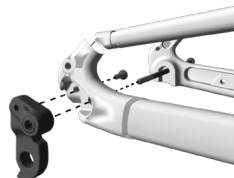
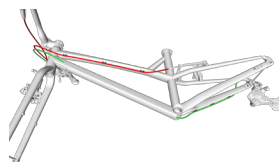
[Front axle](#)

★ Cable (zip) tie

Nm Torque value

Apply appropriate threadlocker

Apply appropriate grease

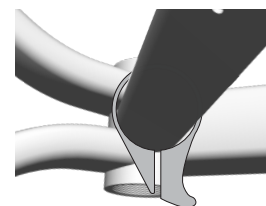
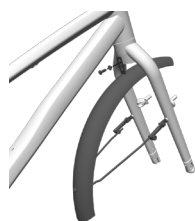
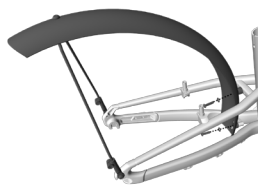


[Rear fender](#)

[Front fender](#)

[Headset](#)

[Chainkeeper](#)



# About this manual

## Scope

This manual contains parts diagrams, specifications (such as grease and torque values), instructions, part numbers, and helpful tips. It does not contain instructions for all components (such as brake calipers). Refer to the original manufacturer for more information.

## Replacement parts

Trek recommends using only Trek OEM (original manufacturer) replacement parts.

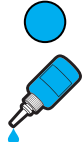
## Additional info


The Owner's Manual is available at [Trekbikes.com/manuals](http://Trekbikes.com/manuals).

## Legend

 Cable (zip) tie

 Torque value

 Apply appropriate threadlocker

 Apply appropriate grease

## Safety

### WARNING

#### Properly tighten hardware

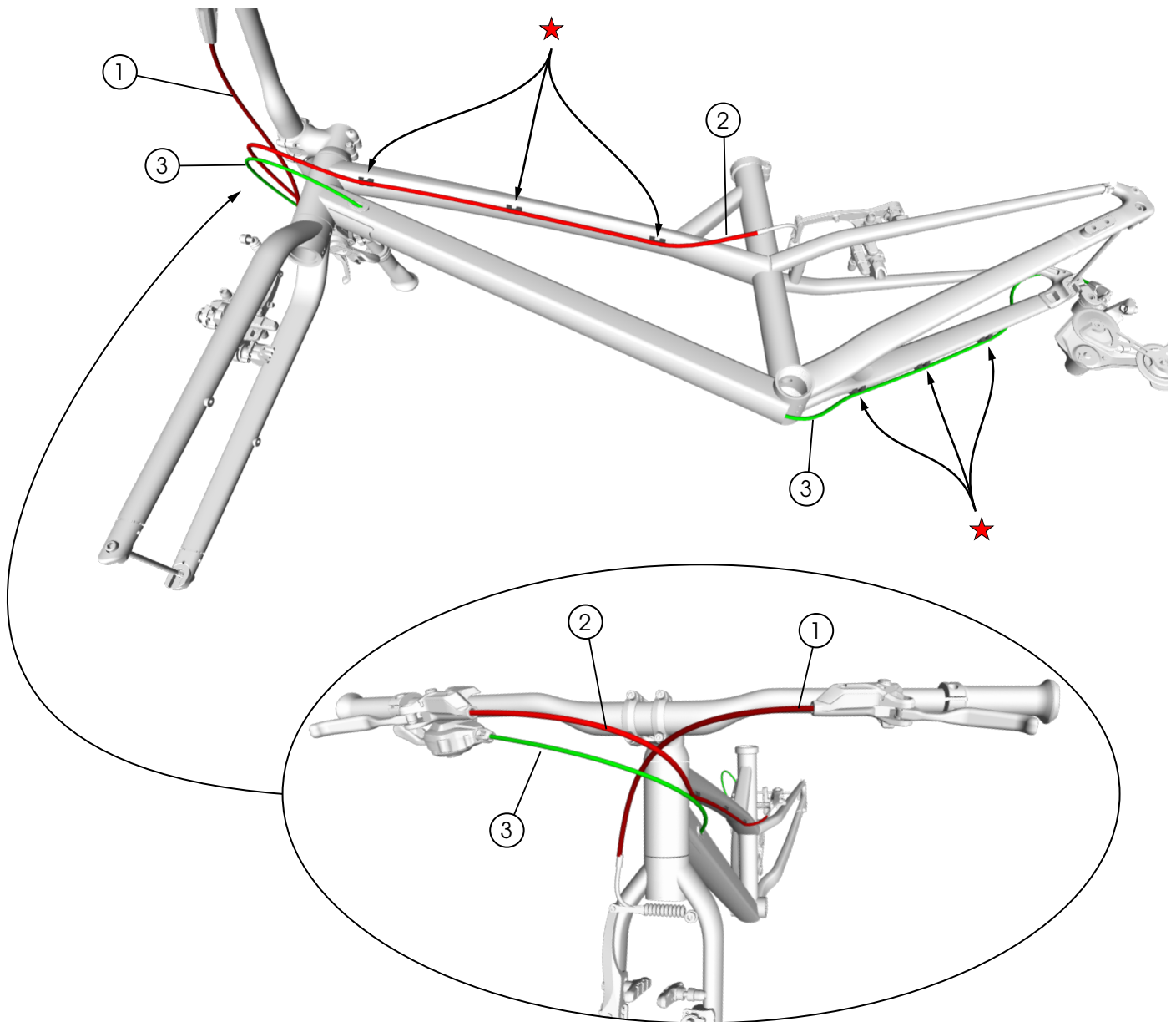
Always tighten hardware to the specified torque. Over-tightening hardware could deform or break the hardware or components. Under-tightening hardware could cause hardware or components to become loose. Either situation could damage the bicycle and result in injury to the rider.

### WARNING

#### Reapply threadlocker

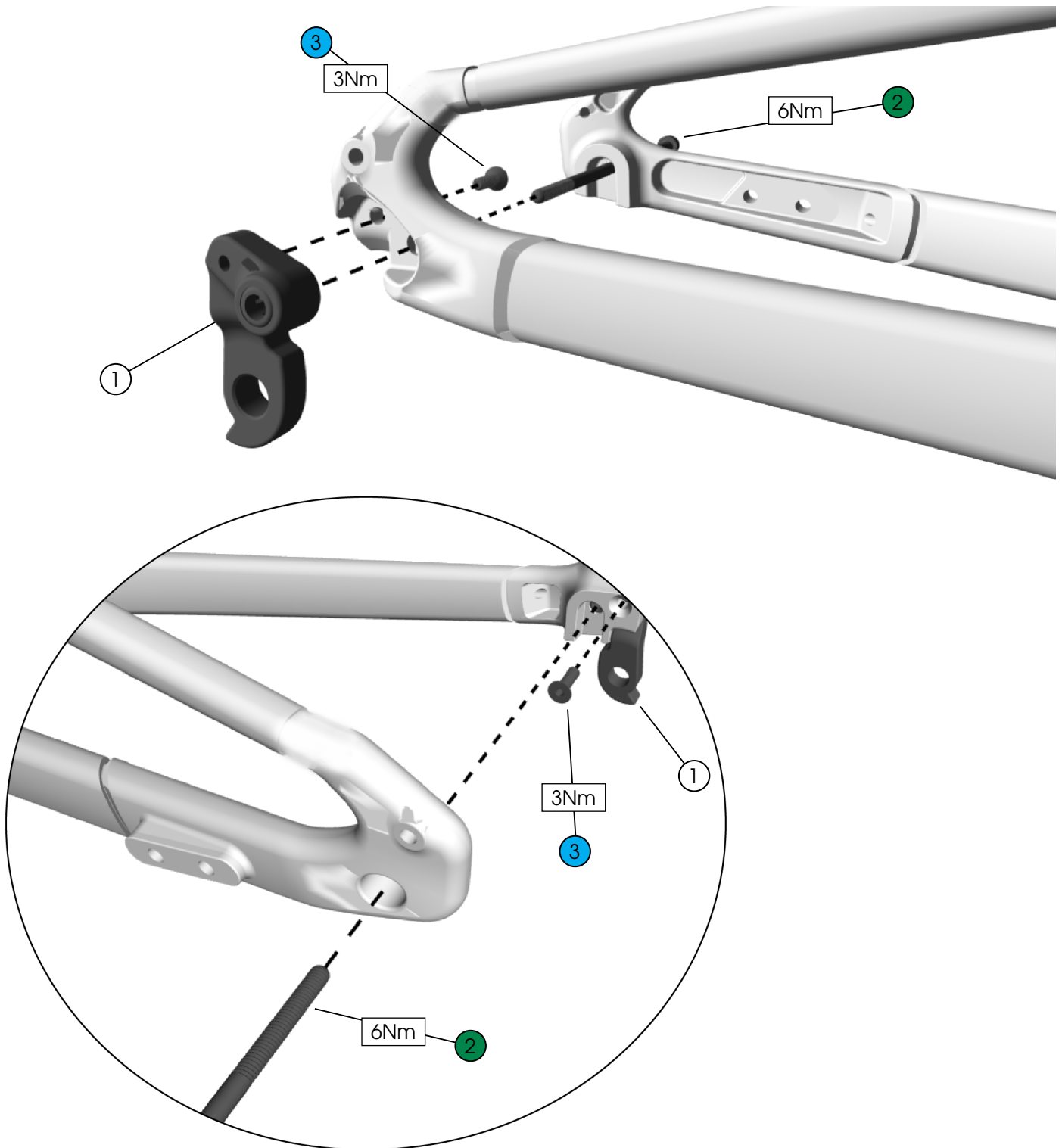
All reused-fasteners with pre-applied threadlocker must be cleaned with isopropyl alcohol and have new threadlocker applied before re-assembly. If threadlocker is not applied, the fasteners may loosen which could damage the bicycle and result in injury to the rider.

## Brake/shift routing



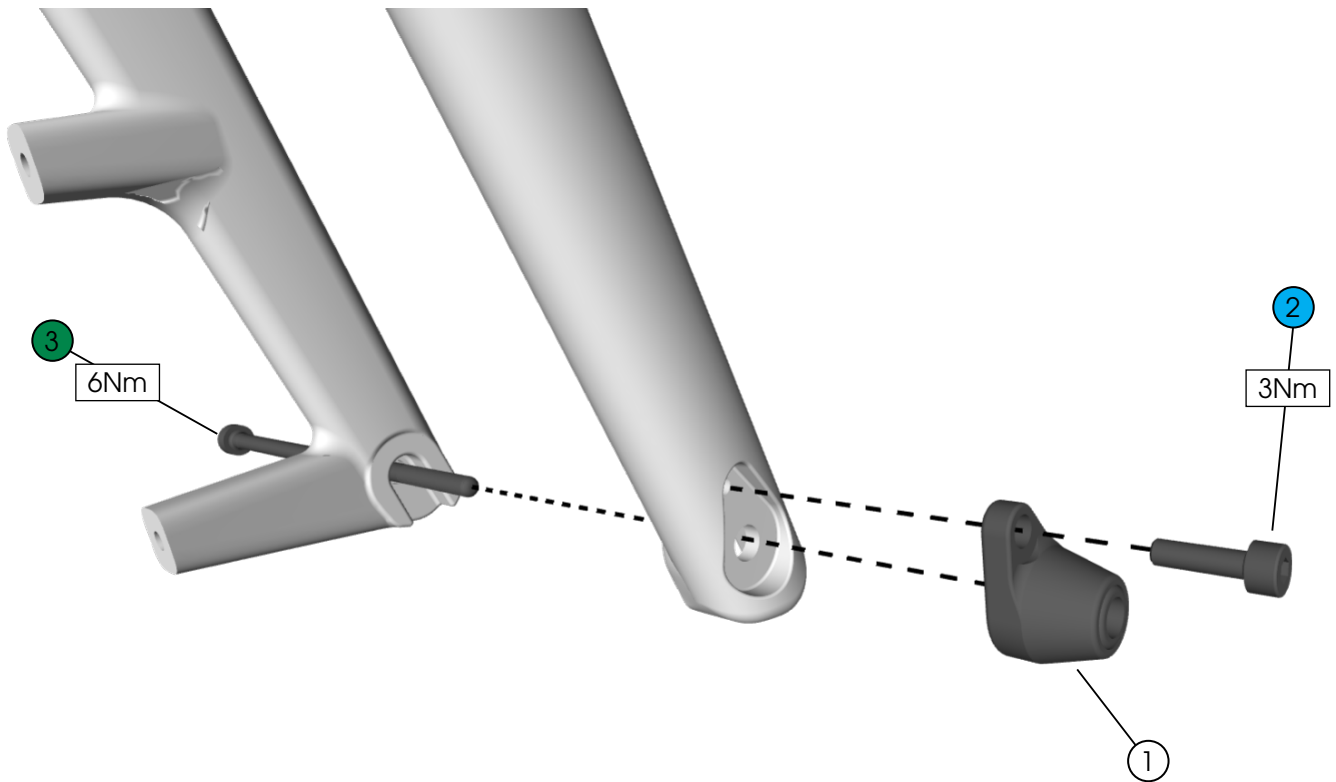
- ① Front brake hose
- ② Rear brake hose
- ③ Rear derailleur housing

## Rear derailleur hanger and axle



- ① Rear derailleur hanger – W5260077
- ② Thru-axle (M5x135mm) – W5267150
- ③ Fastener (M4x14mm) – W5270010

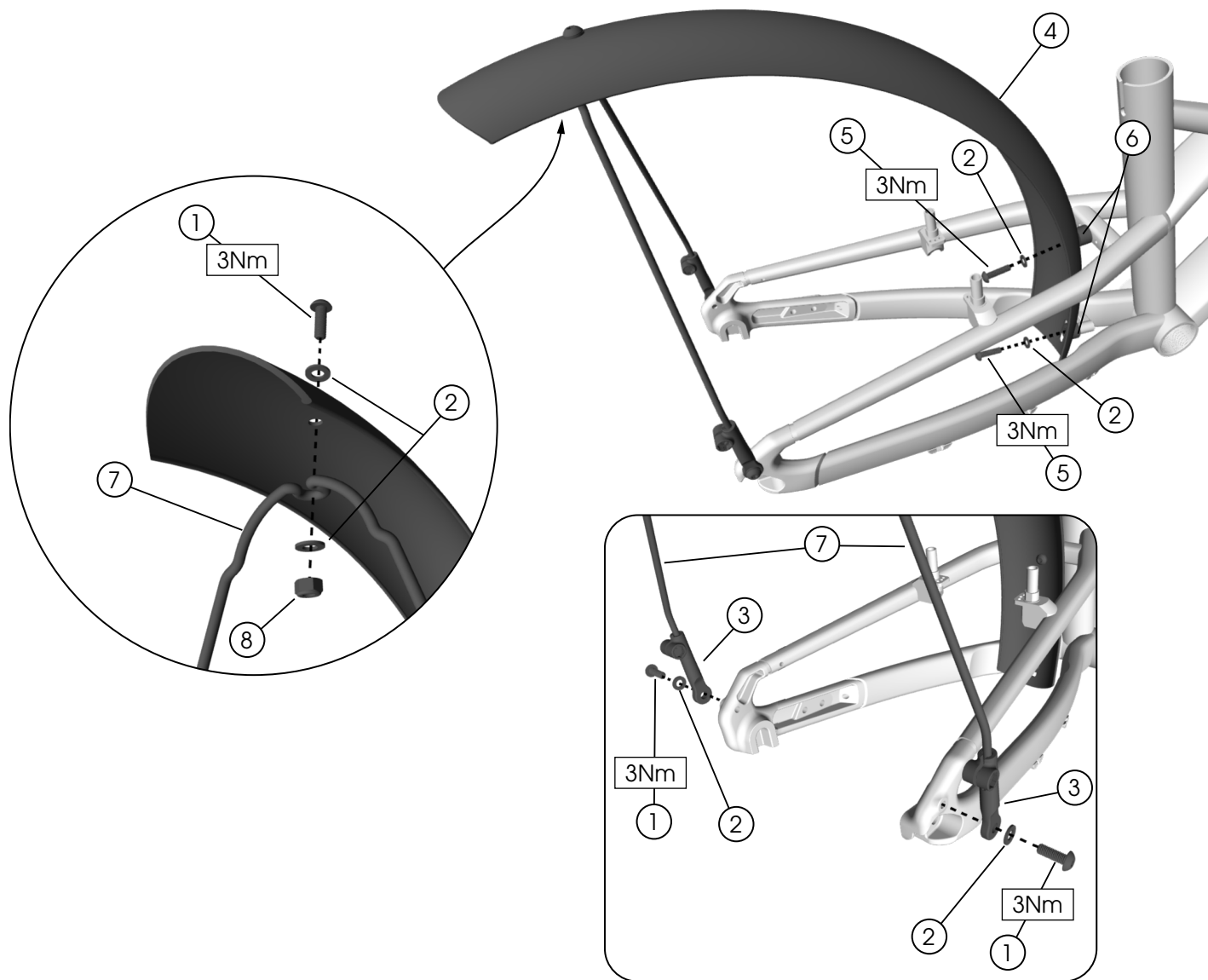
## Front axle



- ① Retention nut – 5273062
- ② Fastener (M4x14mm) – 5305635
- ③ Thru-axle (M5x100mm) – W5267149

# Rear fender

**NOTE:** Fenders are not included with the bicycle in all markets.

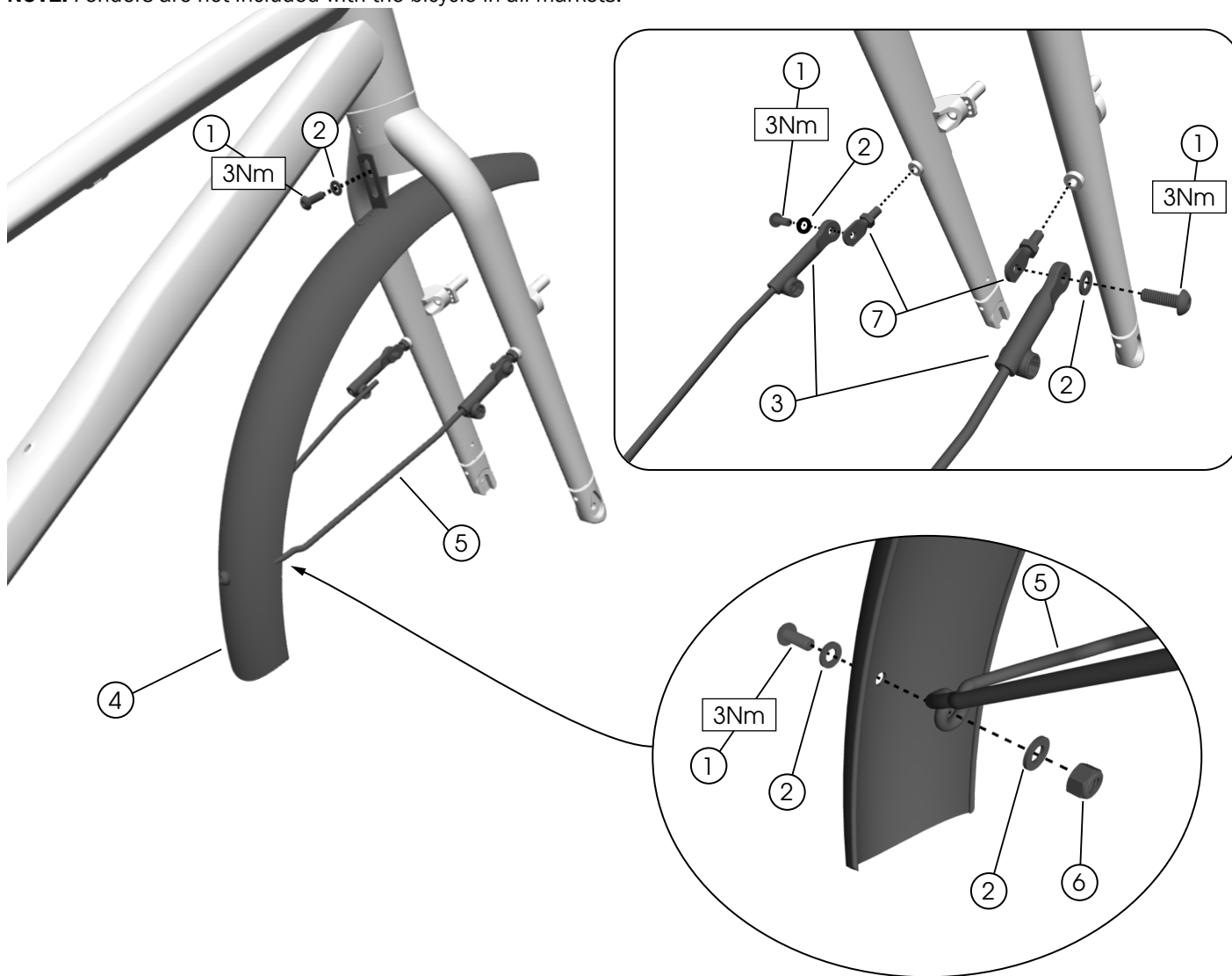


- ① Fasteners (M5x14mm)
- ② Washers (M5) – W521137
- ③ Fender stay clamps
- ④ Rear fender
- ⑤ Fasteners (M5x20mm)
- ⑥ Spacers (15mm)
- ⑦ Rear fender stay
- ⑧ Nylock locknut (M5)

20" – W5309624  
 24" – W5309625  
 26" – W5309626

# Front fender

**NOTE:** Fenders are not included with the bicycle in all markets.

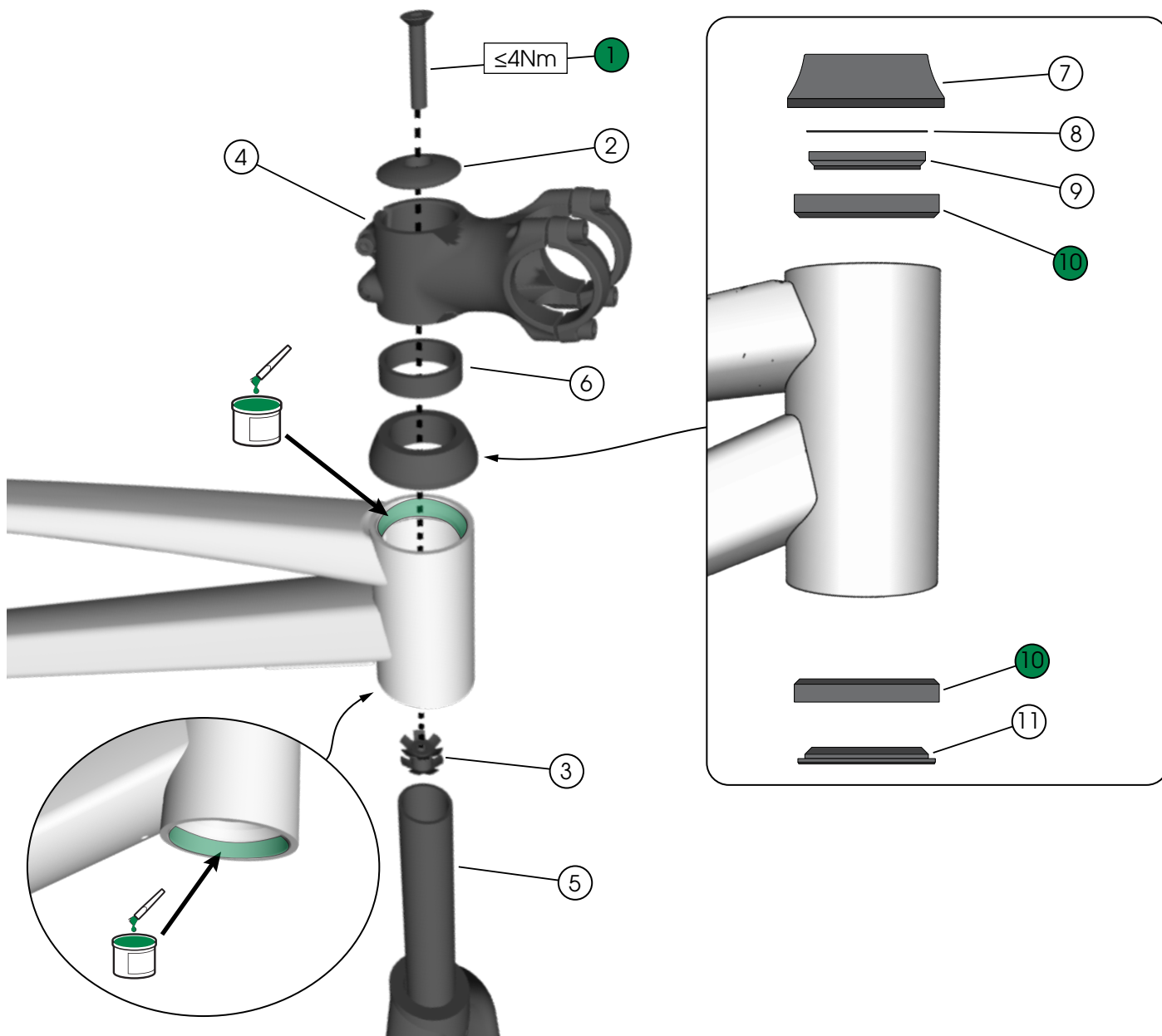


- ① Fasteners (M5x14mm)
- ② Washers (M5) – W521137
- ③ Fender stay clamps
- ④ Front fender
- ⑤ Front fender stay
- ⑥ Nylock locknut (M5)
- ⑦ Fender stay mounts – W317707

20" – W5309624  
 24" – W5309625  
 26" – W5309626



# Headset



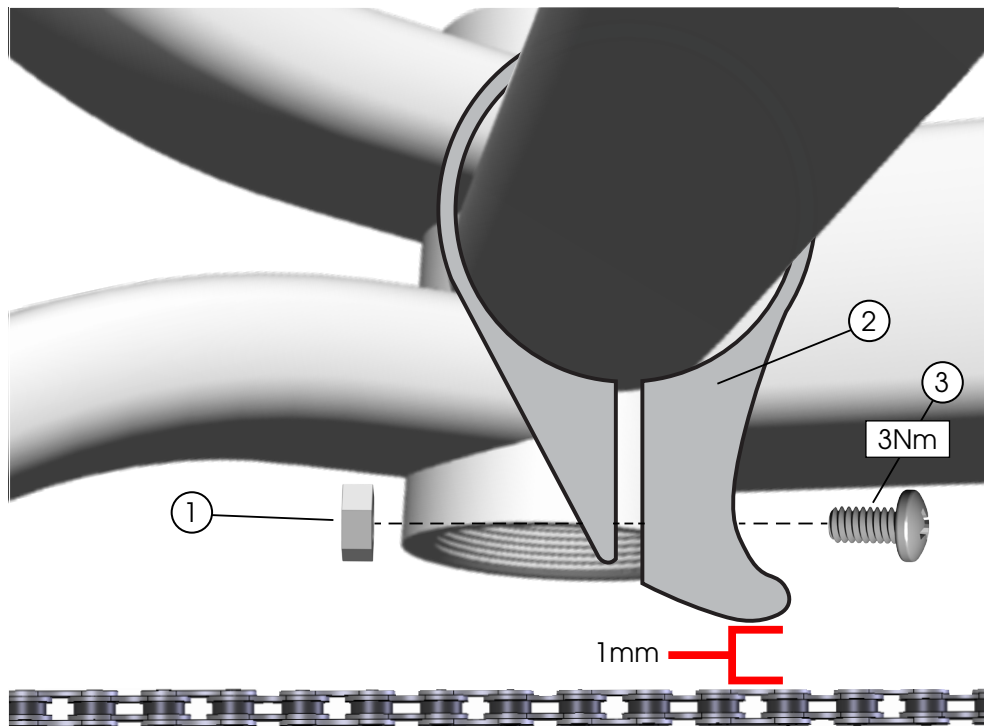
- ① Top cap fastener
- ② Top cap
- ③ Compression nut (1 1/8")
- ④ Stem (50mm) – W562039
- ⑤ Fork
  - 20" – 5316061
  - 24" – 5316064
  - 26" – 5316067
- ⑥ Spacer, 10mm – 5253929

W545877

- ⑦ Dust cover
- ⑧ Gasket
- ⑨ Cling ring
- ⑩ Bearings
- ⑪ Reducer

W5310900

# Chainkeeper



Rotate the chainkeeper as necessary so there is 1mm of clearance to the chain.

- ① Nut (M5)
- ② Chainkeeper
- ③ Fastener (M5)

W5315340